



WESCO[®]
Industrial Products, Inc.



TRIPLE TRUCK

ACCEPTS 3 ATTACHMENTS AND FEATURES ADJUSTABLE ANGLE OUTRIGGERS



**GATOR GRIP
DRUM LIFTER**



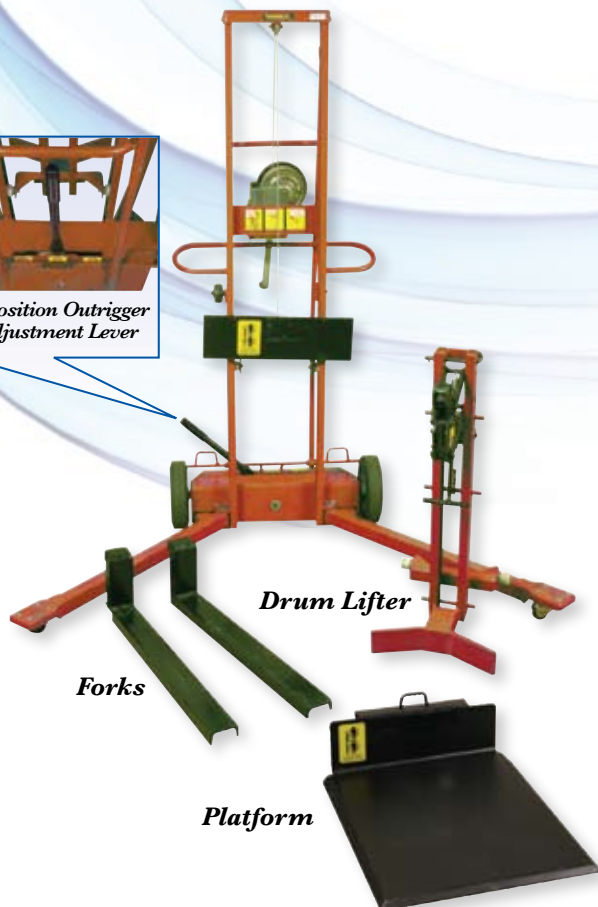
**ADJUSTABLE
FORKS**



**SLIP-ON
PLATFORM**



**3-Position Outrigger
Adjustment Lever**



Drum Lifter

Forks

Platform

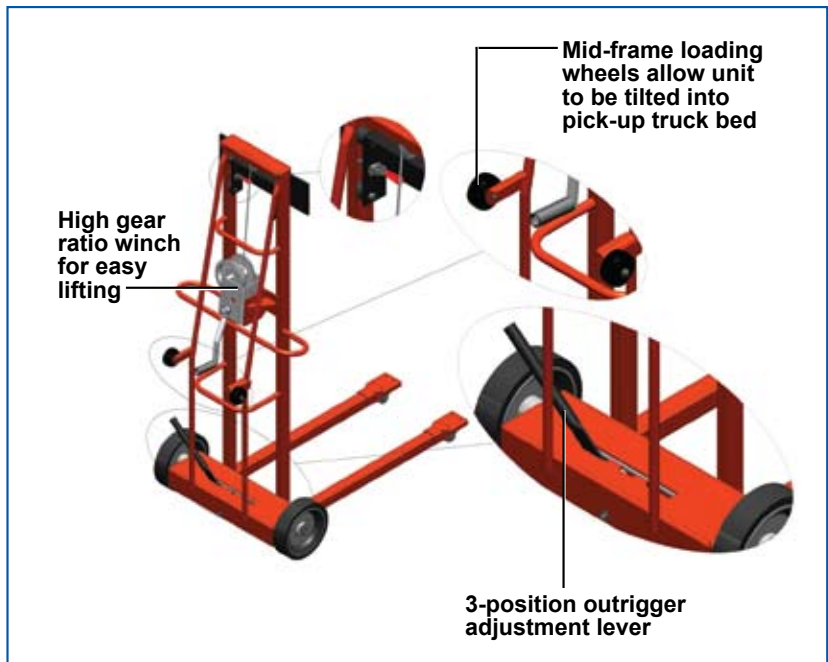
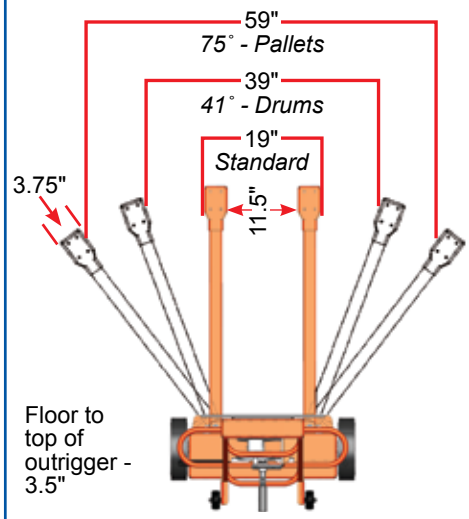
■ **Accepts 3 attachments.**

No tools necessary to install or remove:

- **Drum Lifter - Wesco Patented Gator-Grip** lifts drums from top for greater safety. No need for the operator to touch the drum to raise, transport and lower drum. Works with most standard rim 30, 55, & 85 gal. steel, fiber, and poly drums.
 - **Adjustable Width Forks** (6" to 19½") - useful for small pallets, skids, etc.
 - **Slip-On Platform** (28½" d x 21¼") - installs over forks. Ideal for transporting cartons or irregularly shaped objects.
- **3-angle outrigger adjusts with lever - no tools needed.**
- Standard setting – outriggers are straight out.
 - 41 degrees – allows drums to be lifted or lowered to ground.
 - 75 degrees – allows cargo to be placed on, or removed from, the corner of a pallet.

- Outrigger angle can be changed, even when fully loaded.
- High-gear ratio winch permits easy lifting with minimal effort.
- Convenient foot-operated wheel lock for increased safety.
- Mid-frame loading wheels allow unit to be tilted into pick-up truck bed with minimal effort.
- Spring-loaded quick-connect winch handle may be reversed for storage.
- 10" solid rubber rear wheels, 2" front swivel casters.
- 750 lb capacity.
- **Patent pending design.**
- **1-year warranty.**
- Frame and attachments sold separately.

3 POSITION OUTRIGGER



	Part #	Model #	Weight	Lift Height /Lowered Height	Overall Dimensions	Capacity
Frame Only*	261160	TTF	209 lbs	N/A	30" W x 52 1/4" D x 70 3/4" H	750 lbs
Gator Grip Drum Handler	261161	TTF-GG	39 lbs	69" / 28.75" †	16" W x 12" D x 33" H	750 lbs
Forks (2) (Adj. 6"-20 1/4"W)	261162	TTF-AF	31 lbs	62" / 4"	3" W x 26 3/4" D	750 lbs
Platform**	261163	TTF-P	28 lbs	62.125" / 5"	21 1/4" W x 28 1/8" D	750 lbs

ATTACHMENTS

* Frame cannot be used alone. One or more attachments required.
 ** Platform must be used with forks.

† As measured from ground to top of drum.



Distributed by:

P.O. Box 47, Lansdale, PA 19446-0047
 Phone: 215-699-7031
 Fax: 215-699-3836
<http://www.wescomfg.com>

For more details on this equipment or for information regarding any of the products available from WESCO Industrial products, Inc., please contact your authorized dealer.

Part #159242