

W.W. Cannon, Inc. your Excel Storage Products Distributor 1-800-442-3061

PALLET RACK, CANTILEVER, BUILDINGS, MEZZANINES, CONVEYORS AND RELATED MATERIALS HANDLING AND STORAGE EQUIPMENT SALES AND INSTALLATIONS

Austin

Dallas

Fort Worth

Houston

Rio Grande Valley

San Antonio



Turn-Key Installations

Factory Trained Experienced and Insured

W.W. Cannon, Inc.
Materials Handling and Storage Planning Specialists

Turn-key Installations Done Right!!!

STORAGE SOLUTIONS | ENGINEERED FOR PERFORMANCE®

APPLICATIONS



ENGINEERED FOR VALUE

All of our storage products are designed and fabricated in our own facilities, allowing us to maintain a consistently high standard of quality. Excel Storage Products' high quality, cost-conscious design and innovative storage solutions all add up to give you the best rack value.

STORAGE DIVERSITY

Excel Storage Products manufactures a full line of storage rack configurations to fit every size and budget. Our rack, accessories and systems can be used for a variety of storage applications:

- Pallet Selective
- Bulk Storage
- Archive Storage
- Drive-In
- Push-Back
- Carton flow
- Pallet Flow
- Pick Modules
- Retail Display
- Marine Storage
- Rack supported mezzanines
- Double Deep



THE EXCEL ADVANTAGE

Excel Storage Products is a material handling products manufacturer with the resources to produce complete engineered turnkey warehouse systems. Our design/build team integrates storage rack, shelving, pick modules, conveyors, mezzanines and more. Our engineers are experienced in providing cost-effective designs for a quickly evolving market.

Our experienced customer service team is always here to help with assistance on permit and code issues, product questions and scheduling. At Excel, our customers' needs are first priority, from sales to engineering to installation.



FEATURES & BENEFITS



Single Rib Column Design:	Adds to strength and rigidity. 4 x 2.5" open-back frames and standard sizes of closed column frames also available for high capacity applications.
Tapered Keyhole Slots:	Pulls beam against frame for maximum stability.
Steel-Clad® Impact Inserts:	Available for all frames - only from Excel Storage Products.
High strength tapered lug studs on beam connector plates:	More strength with less weight. Extra safe connection & snug fit.
One-piece tube seamed step beams:	No exposed welds, which can damage pallets.
Integrated beam connector safety locks:	Patented, self-engaging design is secure and easy to use & reposition. Factory welded to the beam connector plate - no loose parts.
Powder coat baked polyester finish:	Scratch resistant, high gloss finish. Ideal for all food & most industrial corrosive applications.
Interchangeable product design:	EXCEL rack is compatible with most "teardrop" design pallet racks.
Quick & Easy Assembly:	Saves time & money. No loose bolts and nuts.
Return bends on all open-back design frame members:	No sharp exposed edges. Great for many retail applications.
RMI R-Mark certification:	R-Mark certification represents Excel's compliance with the latest design, safety and international standards established by the Rack Manufacturers Institute for industrial steel storage racks.
Factory Support:	Large enough to handle any size job. Small enough for the personal services that most companies cannot provide.
Stock rack for immediate requirements:	Warehouses and stocking dealers around the country with a large selection of popular size racks.
Full range of capacities & sizes from hand-loaded bulk rack to your heaviest applications:	One source for all your storage needs. Complete turn-key including design, manufacture, delivery, installation and implementation.



ROLL-FORMED BEAM CAPACITIES (LBS. PER PAIR)

BEAM LENGTH (INCHES)	T250A		T350A		T350G		T350S		T382A		T408A	
	CAPACITY	DEFLECTION	CAPACITY	DEFLECTION	CAPACITY	DEFLECTION	CAPACITY	DEFLECTION	CAPACITY	DEFLECTION	CAPACITY	DEFLECTION
36"	5460	0.107	9160	0.080	10840	0.081	13600	0.083	10440	0.074	11520	0.070
38"	5180	0.120	8700	0.089	10290	0.091	12910	0.093	9910	0.082	10930	0.078
40"	4930	0.132	8290	0.098	9800	0.100	12290	0.103	9430	0.091	10410	0.086
42"	4710	0.146	7910	0.109	9350	0.110	11730	0.113	9000	0.100	9930	0.095
44"	4510	0.160	7570	0.119	8950	0.121	11220	0.124	8610	0.110	9500	0.104
46"	4320	0.175	7260	0.130	8580	0.132	10750	0.136	8260	0.120	9100	0.114
48"	4150	0.190	6980	0.141	8240	0.144	10320	0.148	7930	0.131	8740	0.124
50"	3990	0.206	6720	0.153	7930	0.156	9920	0.160	7630	0.142	8410	0.134
52"	3850	0.223	6480	0.166	7640	0.169	9560	0.173	7350	0.154	8100	0.145
54"	3710	0.240	6250	0.179	7370	0.182	9220	0.187	7090	0.165	7810	0.156
56"	3590	0.258	6040	0.192	7130	0.195	8910	0.201	6850	0.178	7550	0.168
58"	3470	0.276	5850	0.206	6900	0.210	8620	0.215	6630	0.191	7300	0.180
60"	3360	0.296	5670	0.220	6680	0.224	8340	0.230	6420	0.204	7070	0.192
62"	3560	0.344	6090	0.260	7180	0.265	8960	0.272	6900	0.241	7600	0.227
64"	3350	0.356	5920	0.277	6970	0.282	8700	0.290	6700	0.257	7370	0.242
66"	3160	0.367	5750	0.294	6770	0.300	8450	0.308	6510	0.273	7160	0.257
68"	2990	0.378	5600	0.312	6590	0.318	8210	0.327	6330	0.289	6960	0.273
70"	2830	0.389	5450	0.330	6410	0.337	7990	0.346	6160	0.306	6780	0.289
72"	2680	0.400	5310	0.349	6250	0.356	7780	0.366	6000	0.324	6600	0.306
74"	2540	0.411	5180	0.368	6090	0.376	7590	0.386	5850	0.342	6430	0.323
76"	2420	0.422	5050	0.388	5940	0.396	7400	0.407	5710	0.360	6280	0.340
78"	2300	0.433	4940	0.409	5800	0.417	7220	0.428	5570	0.379	6130	0.358
80"	2190	0.444	4820	0.430	5670	0.438	6960	0.444	5440	0.399	5980	0.376
82"	2090	0.456	4720	0.451	5490	0.456	6640	0.456	5320	0.418	5850	0.395
84"	2000	0.467	4560	0.467	5240	0.467	6340	0.467	5200	0.439	5720	0.414
86"	1920	0.478	4360	0.478	5020	0.478	6070	0.478	5090	0.460	5590	0.434
88"	1830	0.489	4180	0.489	4800	0.489	5810	0.489	4990	0.481	5480	0.454
90"	1760	0.500	4000	0.500	4610	0.500	5560	0.500	4860	0.500	5360	0.475
92"	1690	0.511	3840	0.511	4420	0.511	5340	0.511	4660	0.511	5260	0.496
94"	1620	0.522	3690	0.522	4240	0.522	5120	0.522	4480	0.522	5150	0.517
96"	1560	0.533	3550	0.533	4080	0.533	4920	0.533	4300	0.533	5000	0.533
98"	1500	0.544	3420	0.544	3930	0.544	4730	0.544	4140	0.544	4810	0.544
100"	1440	0.556	3290	0.556	3780	0.556	4560	0.556	3980	0.556	4630	0.556
102"	1390	0.567	3170	0.567	3640	0.567	4390	0.567	3840	0.567	4460	0.567
104"	1340	0.578	3060	0.578	3510	0.578	4230	0.578	3700	0.578	4300	0.578
106"	1290	0.589	2960	0.589	3390	0.589	4080	0.589	3570	0.589	4150	0.589
108"	1250	0.600	2860	0.600	3270	0.600	3940	0.600	3450	0.600	4000	0.600
110"	1210	0.611	2760	0.611	3160	0.611	3810	0.611	3330	0.611	3870	0.611
112"	1170	0.622	2670	0.622	3060	0.622	3680	0.622	3220	0.622	3740	0.622
114"	1130	0.633	2590	0.633	2960	0.633	3560	0.633	3120	0.633	3620	0.633
116"	1100	0.644	2500	0.644	2870	0.644	3450	0.644	3020	0.644	3500	0.644
118"	1060	0.656	2430	0.656	2780	0.656	3340	0.656	2930	0.656	3390	0.656
120"	1030	0.667	2350	0.667	2690	0.667	3230	0.667	2840	0.667	3290	0.667
122"	1000	0.678	2280	0.678	2610	0.678	3140	0.678	2750	0.678	3190	0.678
124"	970	0.689	2220	0.689	2530	0.689	3040	0.689	2670	0.689	3090	0.689
126"	940	0.700	2150	0.700	2460	0.700	2950	0.700	2590	0.700	3000	0.700
128"	910	0.711	2090	0.711	2390	0.711	2870	0.711	2520	0.711	2920	0.711
130"	890	0.722	2030	0.722	2320	0.722	2780	0.722	2450	0.722	2830	0.722
132"	860	0.733	1980	0.733	2260	0.733	2710	0.733	2380	0.733	2750	0.733
134"	840	0.744	1920	0.744	2200	0.744	2630	0.744	2310	0.744	2680	0.744
136"	820	0.756	1870	0.756	2140	0.756	2560	0.756	2250	0.756	2600	0.756
138"	800	0.767	1820	0.767	2080	0.767	2490	0.767	2190	0.767	2540	0.767
140"	770	0.778	1780	0.778	2030	0.778	2430	0.778	2130	0.778	2470	0.778
142"	760	0.789	1730	0.789	1980	0.789	2360	0.789	2080	0.789	2400	0.789
144"	740	0.800	1690	0.800	1930	0.800	2300	0.800	2030	0.800	2340	0.800
146"	720	0.811	1650	0.811	1880	0.811	2240	0.811	1970	0.811	2280	0.811
148"	700	0.822	1610	0.822	1830	0.822	2190	0.822	1930	0.822	2230	0.822
150"	680	0.833	1570	0.833	1790	0.833	2130	0.833	1880	0.833	2170	0.833
152"	670	0.844	1530	0.844	1750	0.844	2080	0.844	1830	0.844	2120	0.844
154"	650	0.856	1500	0.856	1700	0.856	2030	0.856	1790	0.856	2070	0.856
156"	640	0.867	1460	0.867	1660	0.867	1990	0.867	1750	0.867	2020	0.867
158"	620	0.878	1430	0.878	1630	0.878	1940	0.878	1710	0.878	1980	0.878
160"	610	0.889	1400	0.889	1590	0.889	1900	0.889	1670	0.889	1930	0.889
162"	590	0.900	1370	0.900	1550	0.900	1850	0.900	1630	0.900	1890	0.900
164"	580	0.911	1340	0.911	1520	0.911	1810	0.911	1600	0.911	1840	0.911
166"	570	0.922	1310	0.922	1490	0.922	1770	0.922	1560	0.922	1800	0.922
168"	560	0.933	1280	0.933	1460	0.933	1730	0.933	1530	0.933	1770	0.933
170"	540	0.944	1250	0.944	1420	0.944	1700	0.944	1500	0.944	1730	0.944
172"	530	0.956	1230	0.956	1390	0.956	1660	0.956	1460	0.956	1690	0.956
174"	520	0.967	1200	0.967	1370	0.967	1620	0.967	1430	0.967	1660	0.967
176"	510	0.978	1180	0.978	1340	0.978	1590	0.978	1400	0.978	1620	0.978
178"	500	0.989	1160	0.989	1310	0.989	1560	0.989	1380	0.989	1590	0.989
180"	490	1.000	1130	1.000	1280	1.000	1530	1.000	1350	1.000	1560	1.000

Notes:

1. Load capacities are for uniformly distributed product load per pair of beams.
2. Deflection is based on product load only and is limited to L/180.
3. Beams longer than 96" that support decking must be tied together to keep deck from falling through.
4. Beams 60" long and under are designed for single pallet wide applications.
5. Beams longer than 60" are designed for 2 or 3 pallet wide applications.
6. Capacities have been reduced to account for impact loading.
7. Capacities are based on the 2008 RMI and the 2007 AISI specifications.
8. Capacities require that beams are in good condition and properly installed.
9. Capacities are for static load only (seismic loadings require a separate evaluation).

ROLL-FORMED BEAM CAPACITIES (LBS. PER PAIR)

BEAM LENGTH (INCHES)	T459A		T506A		T553A		T553E		T600E		T650E	
	CAPACITY	DEFLECTION	CAPACITY	DEFLECTION	CAPACITY	DEFLECTION	CAPACITY	DEFLECTION	CAPACITY	DEFLECTION	CAPACITY	DEFLECTION
36"	13820	0.063	15000	0.053	15000	0.043	15000	0.038	15000	0.031	15000	0.025
38"	13120	0.070	15000	0.062	15000	0.050	15000	0.045	15000	0.036	15000	0.029
40"	12480	0.077	14570	0.071	15000	0.058	15000	0.052	15000	0.042	15000	0.034
42"	11910	0.085	13900	0.078	15000	0.067	15000	0.060	15000	0.049	15000	0.039
44"	11380	0.093	13290	0.085	15000	0.077	15000	0.069	15000	0.057	15000	0.045
46"	10910	0.102	12730	0.093	14620	0.086	15000	0.079	15000	0.064	15000	0.051
48"	10470	0.111	12220	0.101	14030	0.093	15000	0.089	15000	0.073	15000	0.058
50"	10060	0.120	11750	0.110	13490	0.101	15000	0.101	15000	0.082	15000	0.066
52"	9690	0.130	11310	0.119	12990	0.109	14640	0.111	15000	0.093	15000	0.074
54"	9350	0.140	10910	0.128	12520	0.118	14120	0.119	15000	0.104	15000	0.083
56"	9030	0.151	10530	0.138	12090	0.127	13630	0.128	15000	0.115	15000	0.092
58"	8730	0.162	10190	0.148	11690	0.136	13170	0.138	14970	0.128	15000	0.102
60"	8450	0.173	9860	0.158	11310	0.145	12750	0.147	14490	0.137	15000	0.113
62"	9080	0.205	10590	0.187	12140	0.172	13690	0.174	15000	0.156	15000	0.124
64"	8810	0.218	10270	0.199	11780	0.183	13270	0.185	15000	0.171	15000	0.136
66"	8550	0.232	9980	0.211	11440	0.195	12880	0.197	14640	0.183	15000	0.149
68"	8310	0.246	9700	0.224	11110	0.207	12520	0.209	14220	0.194	15000	0.163
70"	8090	0.260	9430	0.238	10810	0.219	12170	0.222	13830	0.206	15000	0.177
72"	7870	0.275	9180	0.251	10520	0.231	11850	0.234	13450	0.217	15000	0.193
74"	7670	0.290	8950	0.265	10250	0.244	11540	0.247	13100	0.230	15000	0.209
76"	7480	0.306	8730	0.280	9990	0.258	11250	0.261	12770	0.242	14850	0.223
78"	7300	0.322	8510	0.294	9750	0.271	10970	0.275	12450	0.255	14490	0.235
80"	7130	0.339	8310	0.310	9520	0.285	10710	0.289	12150	0.268	14150	0.247
82"	6960	0.356	8120	0.325	9290	0.300	10460	0.303	11870	0.281	13820	0.260
84"	6810	0.373	7940	0.341	9080	0.314	10220	0.318	11600	0.295	13510	0.272
86"	6660	0.391	7760	0.357	8880	0.329	9990	0.333	11340	0.309	13210	0.285
88"	6520	0.409	7600	0.374	8690	0.344	9780	0.349	11090	0.324	12930	0.299
90"	6380	0.428	7440	0.391	8510	0.360	9570	0.365	10850	0.338	12660	0.312
92"	6250	0.447	7290	0.408	8330	0.376	9370	0.381	10630	0.354	12400	0.326
94"	6120	0.466	7140	0.426	8160	0.392	9180	0.397	10410	0.369	12150	0.340
96"	6010	0.486	7000	0.444	8000	0.409	9000	0.414	10200	0.385	11920	0.355
98"	5890	0.506	6870	0.462	7850	0.426	8820	0.432	10000	0.401	11690	0.369
100"	5780	0.526	6740	0.481	7700	0.443	8650	0.449	9810	0.417	11470	0.384
102"	5670	0.547	6620	0.500	7560	0.461	8490	0.467	9630	0.434	11260	0.400
104"	5570	0.569	6500	0.520	7420	0.479	8340	0.485	9450	0.451	11060	0.415
106"	5460	0.589	6380	0.540	7290	0.497	8190	0.504	9280	0.468	10860	0.431
108"	5270	0.600	6270	0.560	7160	0.516	8040	0.523	9110	0.485	10680	0.447
110"	5090	0.611	6170	0.580	7040	0.535	7910	0.542	8960	0.503	10490	0.464
112"	4920	0.622	6060	0.601	6920	0.555	7770	0.562	8800	0.522	10320	0.481
114"	4760	0.633	5960	0.623	6800	0.574	7640	0.582	8660	0.540	10150	0.498
116"	4600	0.644	5870	0.644	6690	0.594	7520	0.602	8510	0.559	9990	0.515
118"	4460	0.656	5680	0.656	6590	0.615	7400	0.623	8380	0.578	9830	0.533
120"	4320	0.667	5510	0.667	6480	0.635	7280	0.644	8240	0.598	9680	0.551
122"	4190	0.678	5340	0.678	6320	0.650	7100	0.658	8040	0.612	9440	0.563
124"	4060	0.689	5170	0.689	6230	0.671	6990	0.680	7910	0.631	9300	0.582
126"	3940	0.700	5020	0.700	6130	0.692	6870	0.700	7790	0.652	9160	0.600
128"	3820	0.711	4870	0.711	6020	0.711	6670	0.711	7680	0.672	9030	0.619
130"	3710	0.722	4730	0.722	5840	0.722	6470	0.722	7570	0.693	8900	0.638
132"	3610	0.733	4600	0.733	5680	0.733	6290	0.733	7460	0.714	8780	0.658
134"	3510	0.744	4470	0.744	5520	0.744	6110	0.744	7350	0.736	8660	0.677
136"	3410	0.756	4350	0.756	5360	0.756	5940	0.756	7230	0.756	8540	0.697
138"	3320	0.767	4230	0.767	5220	0.767	5780	0.767	7030	0.767	8430	0.718
140"	3230	0.778	4120	0.778	5080	0.778	5620	0.778	6840	0.778	8310	0.738
142"	3150	0.789	4010	0.789	4940	0.789	5470	0.789	6660	0.789	8210	0.759
144"	3060	0.800	3910	0.800	4810	0.800	5330	0.800	6480	0.800	8100	0.780
146"	2990	0.811	3810	0.811	4690	0.811	5190	0.811	6310	0.811	8000	0.801
148"	2910	0.822	3710	0.822	4570	0.822	5060	0.822	6150	0.822	7890	0.822
150"	2840	0.833	3620	0.833	4460	0.833	4930	0.833	6000	0.833	7700	0.833
152"	2770	0.844	3530	0.844	4350	0.844	4810	0.844	5850	0.844	7510	0.844
154"	2700	0.856	3440	0.856	4240	0.856	4690	0.856	5700	0.856	7330	0.856
156"	2640	0.867	3360	0.867	4140	0.867	4580	0.867	5560	0.867	7150	0.867
158"	2580	0.878	3280	0.878	4040	0.878	4470	0.878	5430	0.878	6980	0.878
160"	2520	0.889	3210	0.889	3950	0.889	4360	0.889	5300	0.889	6820	0.889
162"	2460	0.900	3130	0.900	3860	0.900	4260	0.900	5180	0.900	6670	0.900
164"	2410	0.911	3060	0.911	3770	0.911	4160	0.911	5060	0.911	6520	0.911
166"	2350	0.922	2990	0.922	3680	0.922	4070	0.922	4940	0.922	6370	0.922
168"	2300	0.933	2930	0.933	3600	0.933	3980	0.933	4830	0.933	6230	0.933
170"	2250	0.944	2870	0.944	3520	0.944	3890	0.944	4730	0.944	6090	0.944
172"	2200	0.956	2800	0.956	3450	0.956	3810	0.956	4620	0.956	5960	0.956
174"	2160	0.967	2740	0.967	3370	0.967	3720	0.967	4520	0.967	5840	0.967
176"	2110	0.978	2690	0.978	3300	0.978	3640	0.978	4420	0.978	5710	0.978
178"	2070	0.989	2630	0.989	3230	0.989	3570	0.989	4330	0.989	5590	0.989
180"	2020	1.000	2580	1.000	3170	1.000	3490	1.000	4240	1.000	5480	1.000

Notes:

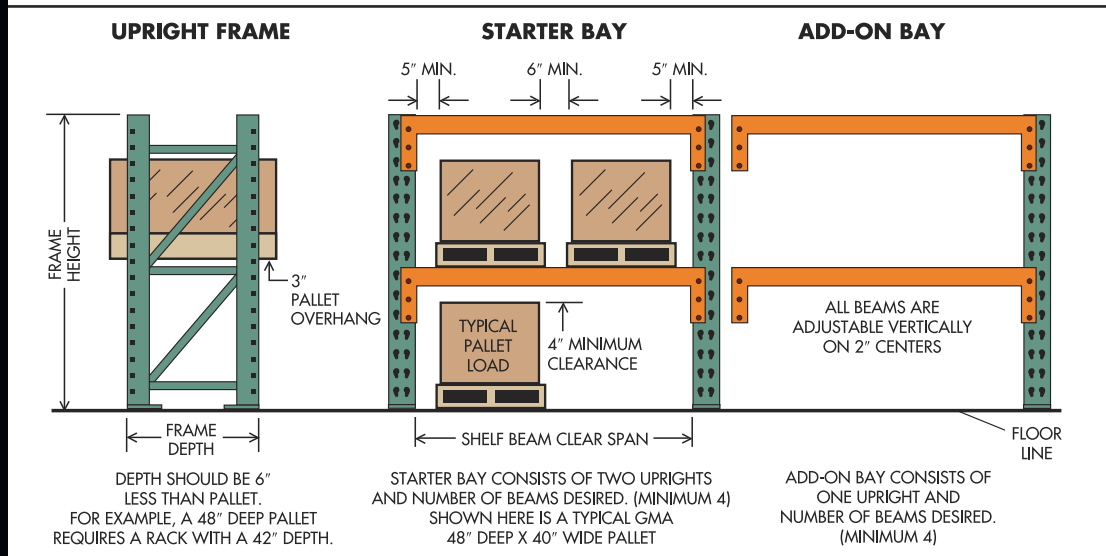
- Load capacities are for uniformly distributed product load per pair of beams.
- Deflection is based on product load only and is limited to L/180.
- Beams longer than 96" that support decking must be tied together to keep deck from falling through.
- Beams 60" long and under are designed for single pallet wide applications.
- Beams longer than 60" are designed for 2 or 3 pallet wide applications.
- Capacities have been reduced to account for impact loading.
- Capacities are based on the 2008 RMI and the 2007 AISI specifications.
- Capacities require that beams are in good condition and properly installed.
- Capacities are for static load only (seismic loadings require a separate evaluation).

ROLL-FORMED FRAME CAPACITIES (LBS. PER FRAME)

UNSUPPORTED COLUMN LENGTH	3" COLUMN TYPE					4" COLUMN TYPE		
	F14 3" x 1 ⁵ / ₈ " COL.	F20 3" x 2 ¹ / ₂ " COL.	F24 3" x 2 ¹ / ₂ " COL.	F30 3" x 3" COL.	F35 3" x 3" COL.	DI38 4" x 2 ¹ / ₂ COL.	DI40 4" x 2 ¹ / ₂ COL.	DI46 4" x 2 ¹ / ₂ COL.
36"	18,100	29,800	32,100	38,600	45,800	43,200	45,600	53,600
42"	17,800	27,000	29,100	35,000	41,400	41,400	43,700	51,400
48"	15,900	24,000	25,900	31,100	36,800	38,600	40,700	47,900
54"	14,000	20,900	22,600	27,100	32,000	35,600	37,500	44,100
60"	12,300	18,300	19,800	23,700	28,000	32,900	34,700	40,800
66"	11,000	16,500	17,900	21,500	25,300	31,000	32,700	38,500
72"	9,800	14,800	16,000	19,300	22,700	29,100	30,700	36,000
78"	8,700	13,100	14,200	17,200	20,200	27,100	28,500	33,400
84"	7,700	11,700	12,600	15,400	18,000	25,000	26,300	30,900
90"	6,900	10,400	11,300	13,800	16,100	23,000	24,200	28,300
96"	6,100	9,400	10,200	12,400	14,500	20,900	22,000	25,800

Notes:

1. Frame capacities are for product load only.
2. All capacities are in compliance with the 2008 RMI Specification.
3. Seismic design is not included in this table.
4. Unsupported Column Length is the distance from the floor to the top of the first beam or the distance from top of beam to top of beam, whichever is greater.
5. Capacities are for undamaged frames.
6. Consider using column protective devices when columns are exposed to fork truck traffic.
7. F14 frames are restricted to 4,000# per shelf level.
8. DI38 - DI46 are engineered frames ONLY.



HOW TO ORDER:

BEAM LENGTH: SHELF LENGTH EQUALS THE DISTANCE BETWEEN UPRIGHTS. IT IS DETERMINED BY ADDING THE WIDTHS OF PALLET LOADS PLUS A 5" SIDE CLEARANCE BETWEEN UPRIGHT AND PALLET AND 6" BETWEEN PALLET LOADS. SHELF BEAM CAPACITIES ARE BASED ON A PAIR OF BEAMS SUPPORTING AN EVENLY DISTRIBUTED LOAD.

RACK HEIGHT: ADD THE FOLLOWING FIGURES:

- HEIGHT OF PALLET LOADS (INCLUDING PALLET)
 - + HEIGHT OF SHELF BEAM
 - + 4" MINIMUM VERTICAL CLEARANCE FOR EACH PALLET LOAD
- SUM OF ABOVE DIMENSIONS = RACK HEIGHT

FOR UPPERMOST LOAD LEVEL, LOCATION OF SHELF BEAM SHOULD BE 6" LESS THAN FORK TRUCK'S MAXIMUM LIFT HEIGHT.

TOP OF BEAMS NEED TO BE AT EVEN INCREMENTS.

ROLL-FORMED FRAME PART NUMBER

(EXAMPLE: 3" x 3" x 42" x 192" / VISTA GREEN)

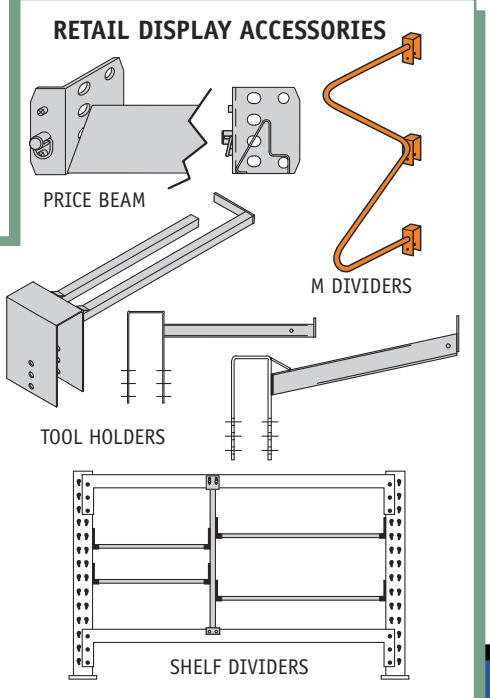
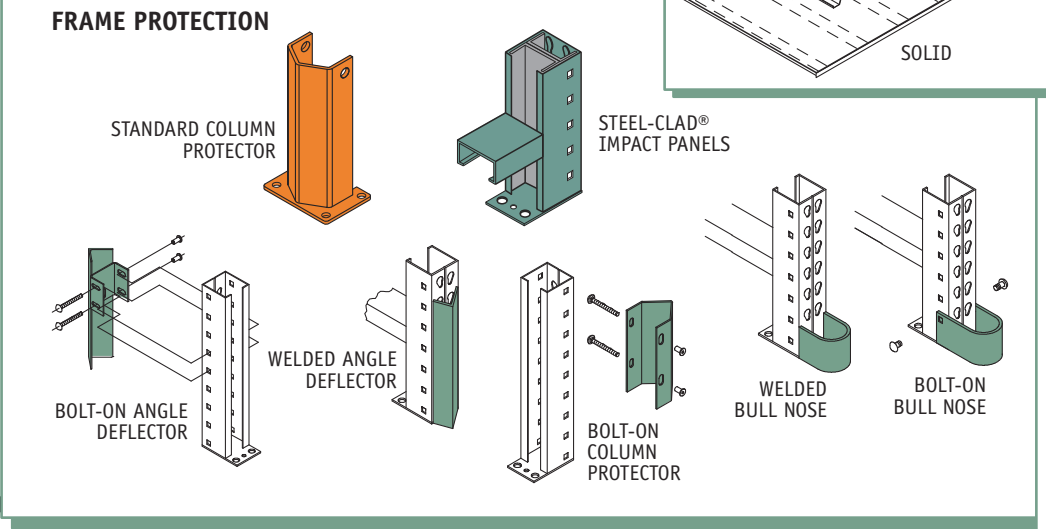
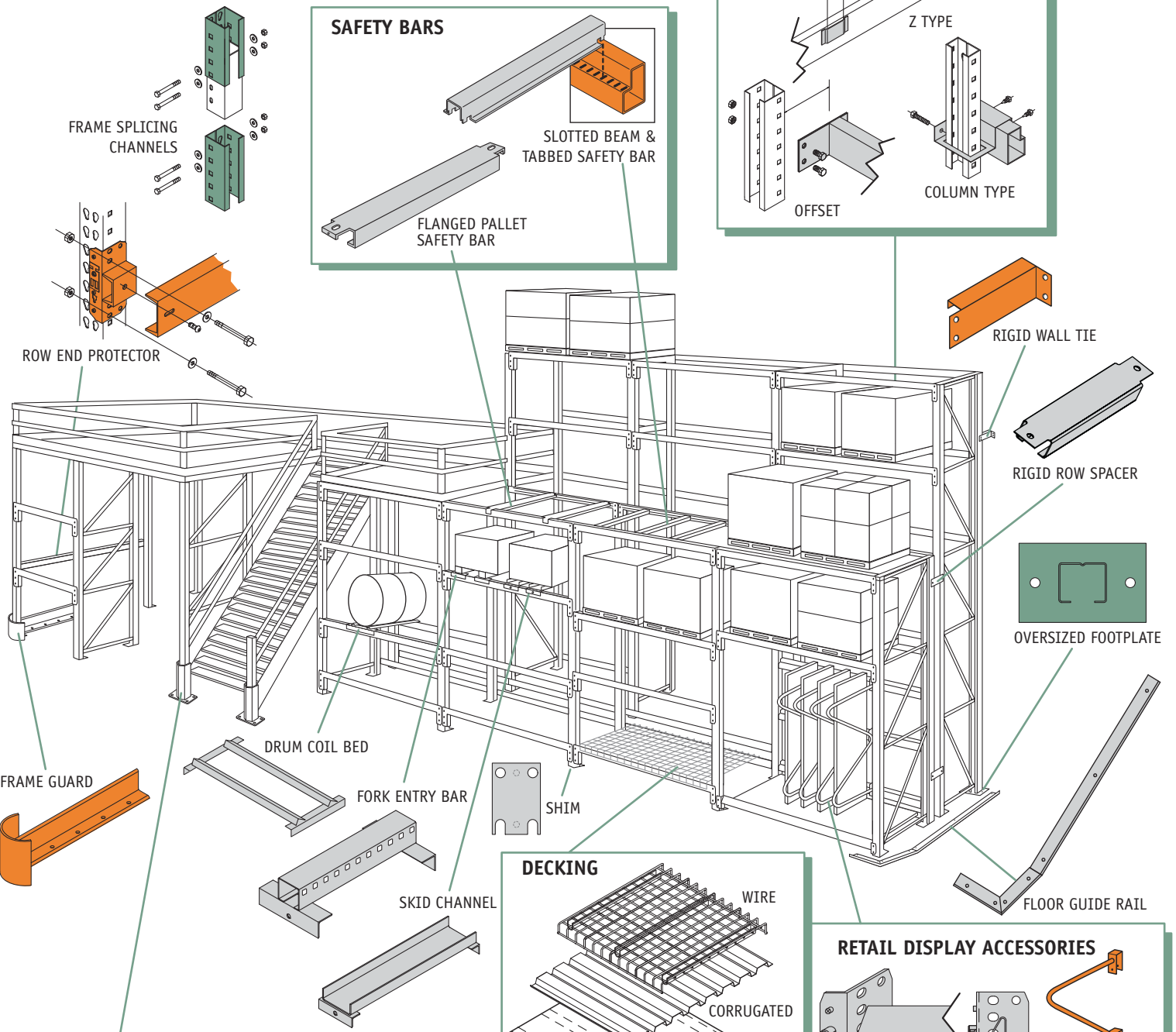
F	30	42	192	000	GV
ROLL-FORMED FRAME	CAPACITY MODEL	DEPTH IN INCHES	HEIGHT IN INCHES	OPTIONS	COLOR

ROLL-FORMED STEP BEAM PART NUMBER

(EXAMPLE: 3¹/₂" x 96" / ULTRA ORANGE)

T	350G	096	000	OU
ROLL-FORMED STEP BEAM	HEIGHT IN INCHES	LENGTH IN INCHES	OPTIONS	COLOR

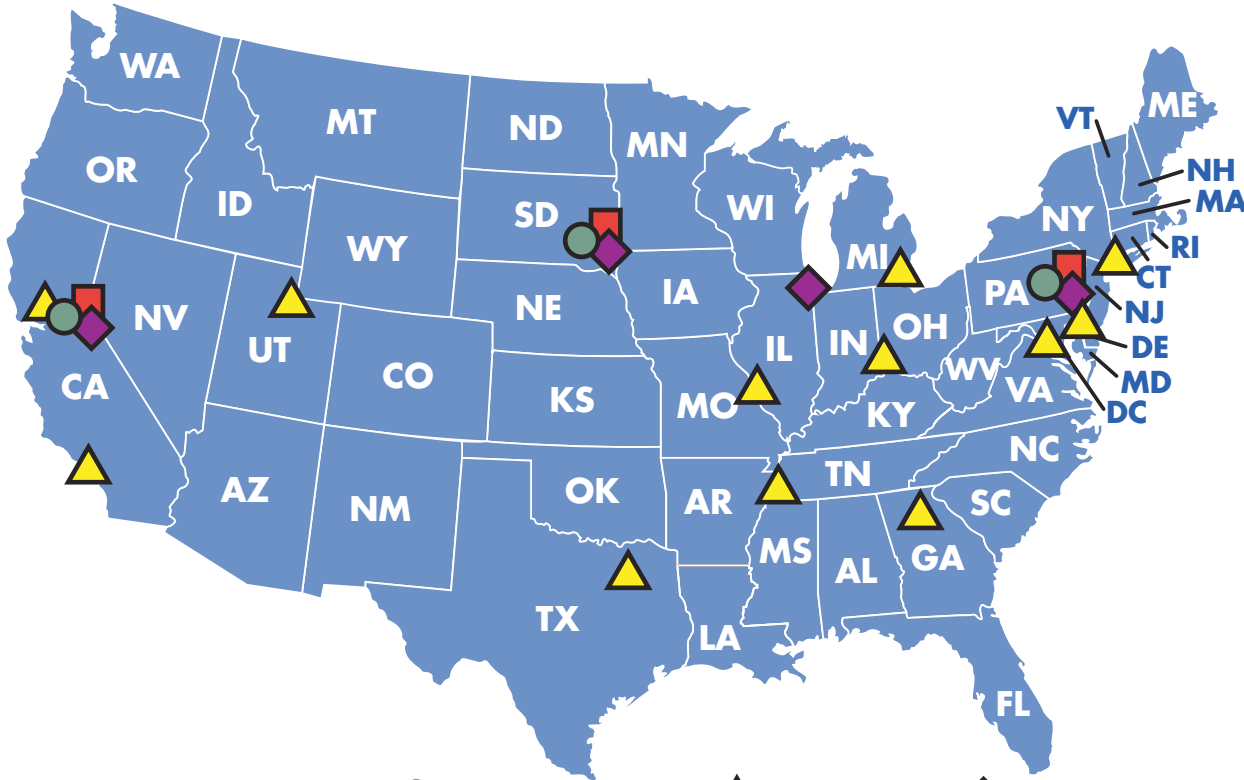
ACCESSORIES



NATIONWIDE COVERAGE

Excel Storage Products serves its customers from strategically located facilities across the United States.

Our plants and distribution centers have direct access to interstate highways and railroad spurs. This enables us to provide the most economical and expeditious shipping by both road and rail. Excel sales & engineering offices cover all regions of the country, assuring our customers of close personal contact for order placement, engineering, rack system consultation, quick response and effective coordination from initiation to completion of projects.



MANUFACTURING PLANTS:

EAST STROUDSBURG, PA
STROUDSBURG, PA
BROOKINGS, SD
LODI, CA



DISTRIBUTION CENTERS:

STROUDSBURG, PA
BROOKINGS, SD
LODI, CA



SALES OFFICES:

NEW YORK, NY
NEWARK, DE
WASHINGTON, DC
DETROIT, MI
CINCINNATI, OH
MEMPHIS, TN
ATLANTA, GA
ST. LOUIS, MO
DALLAS, TX
SALT LAKE CITY, UT
SACRAMENTO, CA
LOS ANGELES, CA



ENGINEERING OFFICES:

EAST STROUDSBURG, PA
CHICAGO, IL
BROOKINGS, SD
LODI, CA



RMI
MEMBER COMPANY



American Welding Society
Sustaining Company Member

WW Cannon, Inc.
2653 Brenner Dr.
Dallas, TX 75220

Toll Free 1-800-442-3061

TURN-KEY INSTALLATIONS DONE RIGHT!!!